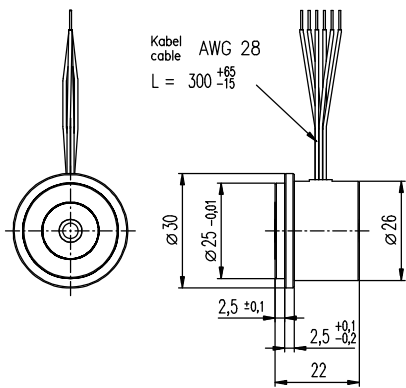
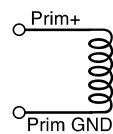


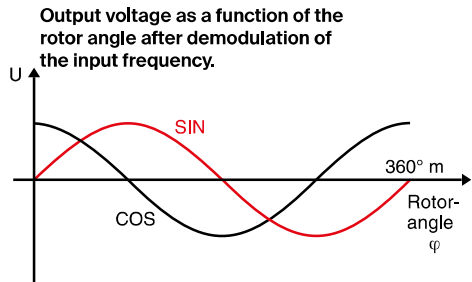
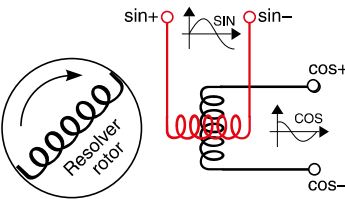
# Resolver Res 26 10 Volt



Primary



Secondary



- Stock program
- Standard program
- Special program (on request)

## Part Numbers

166488	133405	268912	199287
--------	--------	--------	--------

Type	166488	133405	268912	199287
Shaft diameter (mm)	4	6	6	6
Max. speed (rpm)	10 000	10 000	10 000	10 000



maxon Modular System				
+ Motor	Page	+ Gearhead	Page	Overall length [mm] / • see Gearhead
EC 32, 80 W	228			80,1
EC 32, 80 W	228	GP 32, 0,75 - 6,0 Nm	383-390	•
EC 32, 80 W	228	GP 32 S	416-421	•
EC 40, 170 W	229			107,2
EC 40, 170 W	229	GP 42, 3,0 - 15 Nm	396	•
EC 40, 170 W	229	GP 52, 4,0 - 30 Nm	401	•
EC 45, 150 W	230			111,2
EC 45, 150 W	230	GP 42, 3,0 - 15 Nm	396	•
EC 45, 150 W	230	GP 52, 4,0 - 30 Nm	401	•
EC 45, 250 W	231			144,0
EC 45, 250 W	231	GP 42, 3,0 - 15 Nm	396	•
EC 45, 250 W	231	GP 52, 4,0 - 30 Nm	401	•
EC 45, 250 W	231	GP 62, 8,0 - 50 Nm	403	•
EC 60, 400 W	232			177,3
EC 60, 400 W	232	GP 81, 20 - 120 Nm	404	•

Technical Data	Pin Allocation
Input voltage	10 V peak, 10 kHz
Transmission ratio	0,5
Electrical error	± 10 minutes
Rotor inertia	6 gcm <sup>2</sup>
Weight	40 g
Operating temperature range	-55 ... +155°C
	Prim + EC 32/EC 40 red/white EC 45/EC 60 white
	Prim GND yellow/white brown
	cos + red green
	sin + yellow yellow
	cos - schwarz grey
	sin - blue pink

sensor